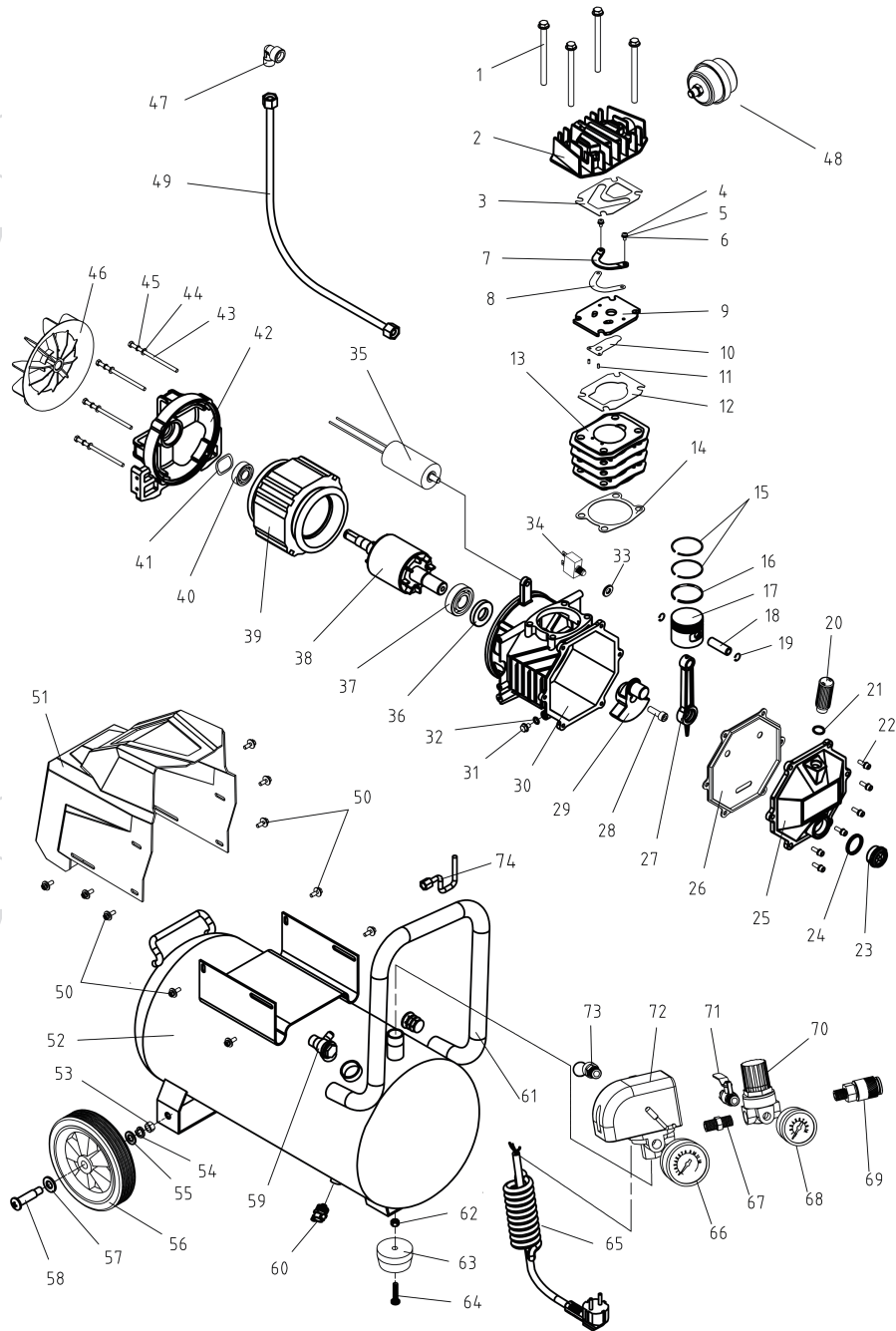


AC93124P



No.	DESCRIPTION	No.	DESCRIPTION
1	screw	38	rotor
2	cylinder head cover	39	stator
3	cylinder head gasket	40	ball bearing
4	plate screw	41	ball bearing spacer
5	screw washer	42	rear motor cover
6	screw spring washer	43	cap screw
7	exhaust limiter	44	screw washer
8	exhaust valve plate	45	screw spring washer
9	valve plate	46	fan
10	inflow valve plate	47	elbow
11	locating pin	48	air filter
12	cylinder gasket upper	49	connecting tube
13	cylinder	50	screw
14	cylinder gasket lower	51	motor cover
15	compression ring	52	tank
16	oil ring	53	hex nut
17	piston	54	flat washer
18	piston pin	55	flat washer
19	ext retaining ring	56	wheel
20	breather	57	flat washer
21	breather ring	58	screw
22	crank case cover screw	59	check valve
23	oil indicator	60	drain valve
24	oil indicator ring	61	handle
25	crank case cover	62	flat washer
26	cover seal	63	rubber mat
27	connecting rod	64	screw
28	cap screw	65	cable & plug
29	crank	66	pressure gauge 50
30	crank case	67	connecting
31	screw	68	pressure gauge 40
32	washer	69	outlet
33	Fixed knob	70	regulator
34	out circuit protector	71	outlet
35	capacitor	72	pressure switch
36	ball bearing spacer	73	safety valve
37	ball bearing	74	release tube